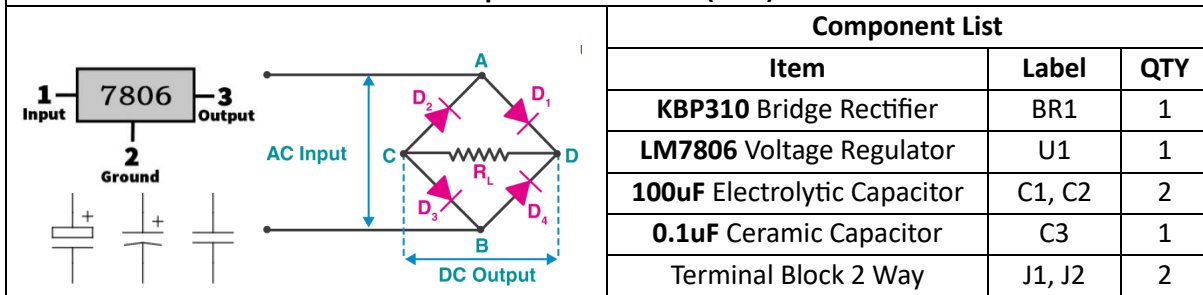
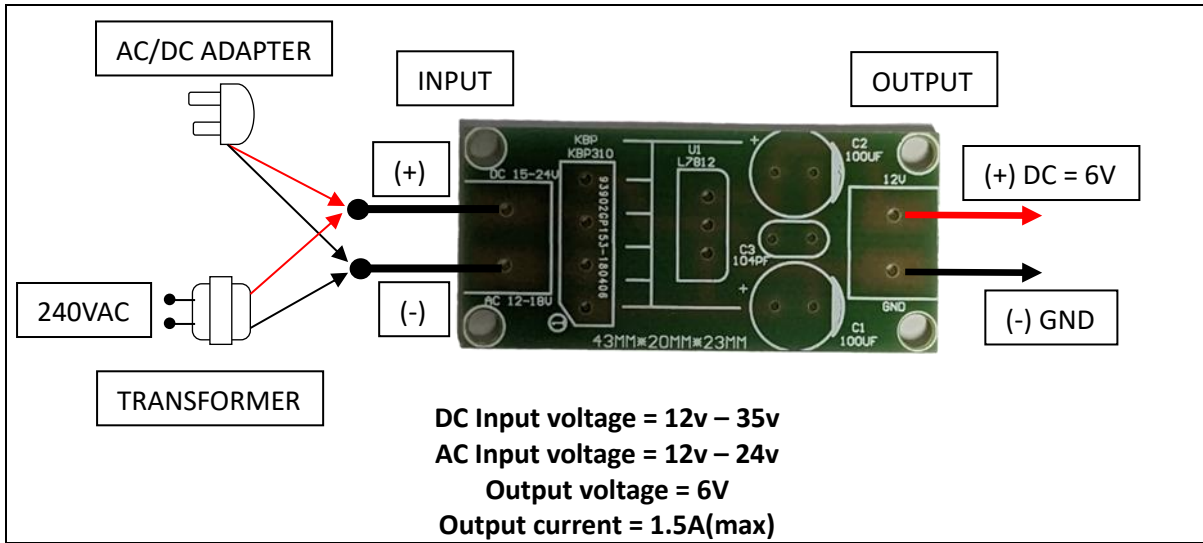
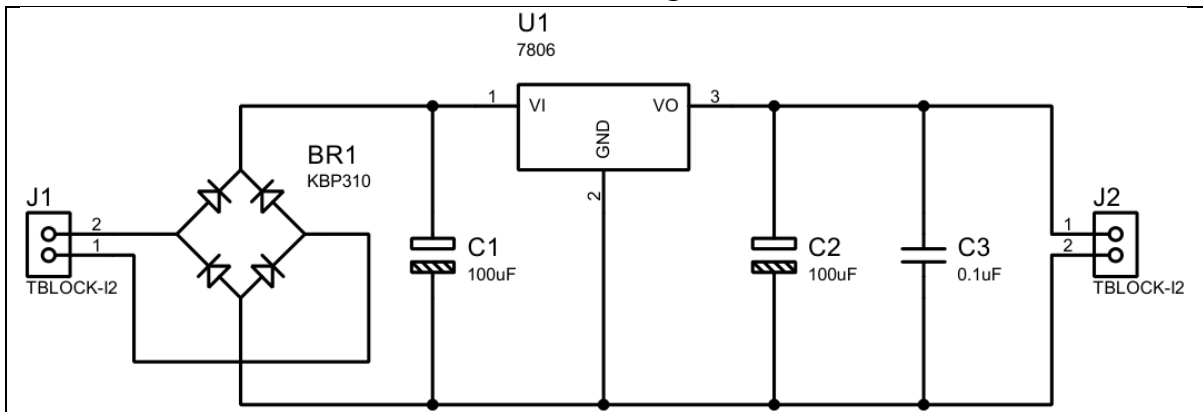


## 6V REGULATED POWER SUPPLY DIY KIT



### Schematic Diagram



### PCB Full Assembly

Dimension: -  
43x20x23mm

