
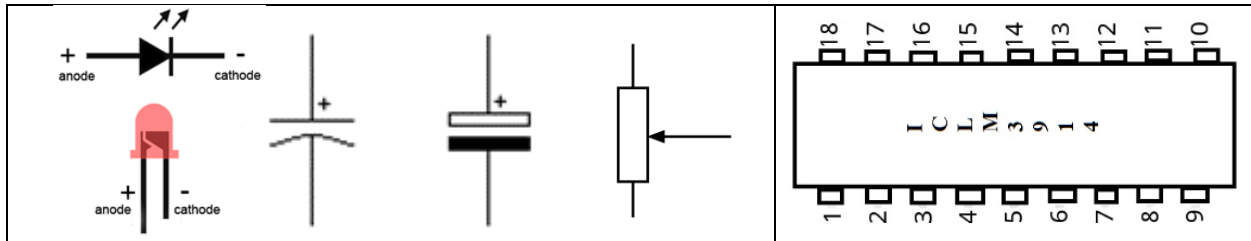
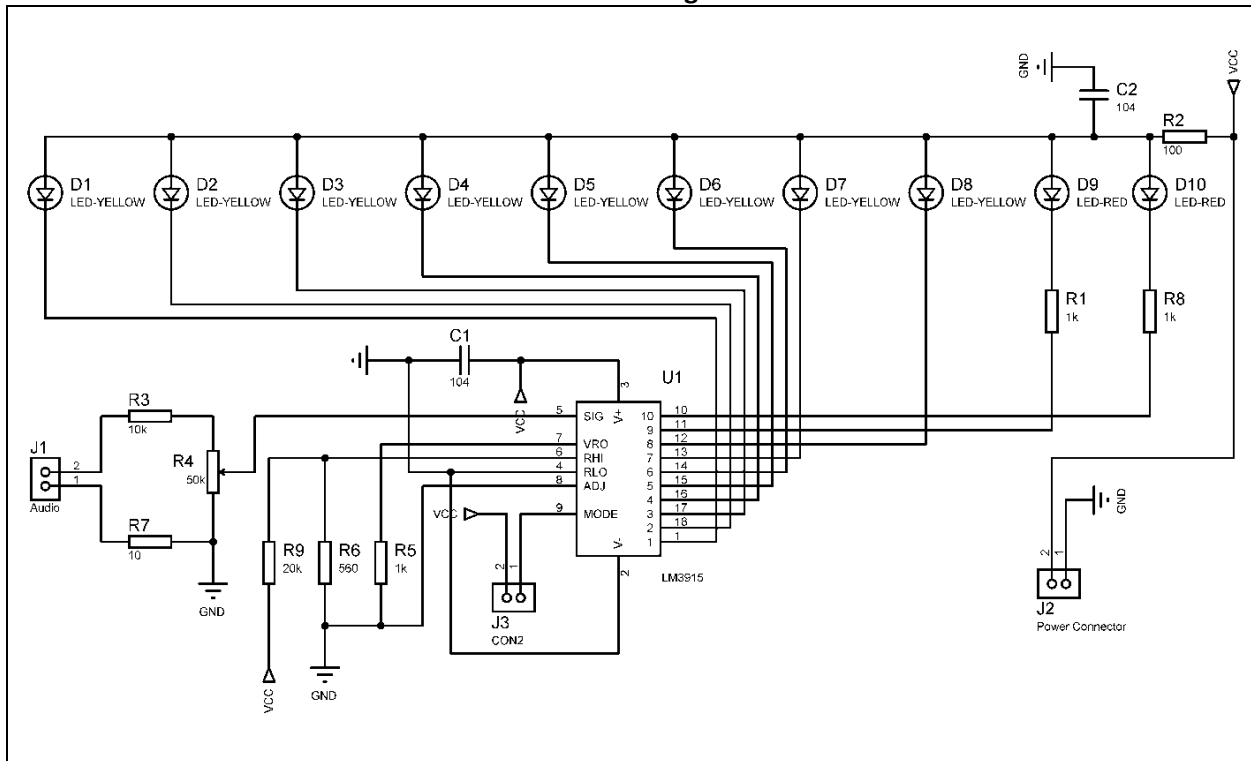


STS-105A: LM3915 AUDIO LEVEL INDICATOR DIY KIT

<p>Power Supply voltage: 9-12V (DC voltage)</p>  <p>PCB Full Assembly (Board size: 27*58mm)</p>	<p>Component List</p> <p>R1, R5 & R8=1kΩ, R2=100 Ω, R3=10kΩ, R4=50kΩ Variable Resistor, R6=560Ω, R7=10Ω, R9=20kΩ, C1 & C2=104 Ceramic Capacitor, U1=IC LM3915, D9 & D10= Red LED, D1-D8=Yellow LED, J2=XH2.54-2P Connector, J1 & J3=Male Header 2 Pin, IC Socket 18 Pin & PCB Board.</p> <hr/> <p>Total Item = 26</p>
--	---



Schematic Diagram



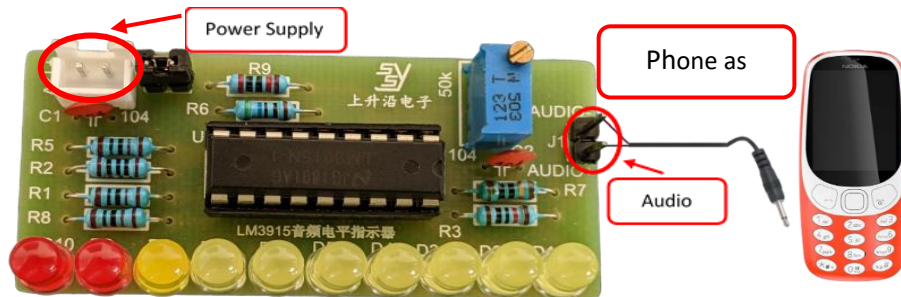
Component List:

Components	Quantity	Reference	Components	Quantity	Reference
1kΩ Resistor	3	R1, R5 & R8	100nF/104 Ceramic Capacitor	2	C1 & C2
100Ω Resistor	1	R2	LM3915	1	U1
10Ω Resistor	1	R7	LED RED	2	D10 & D9
10kΩ Resistor	1	R3	LED YELLOW	8	D1 - D8
20kΩ Resistor	1	R9	IC Socket 18 Pin	1	U1
560Ω Resistor	1	R6	XH2.54-2P Connector Set	1	J2
50kΩ Variable Resistor	1	R4	Male Header 2 Pin Set	2	J1 & J3
Total Item = 26					

Introduction:

This Audio level indicator DIY KIT need the audio output to be connected to the two pins of J1 in the circuit. The audio output that supported are from speaker or earphone. The louder audio, the higher the signal strength. This DIY KIT will light up LED to indicates the current level of signal of audio that it received. The higher signal means more LED will be light up and the lower signal mean less LED will be light up.

Connection Setup 1: Use DIY KIT with Audio Jack Connector that connected to audio input source (phone).



Connection Setup 2: Use DIY KIT with Microphone Module kit STS-105B as audio source input for Cordless Audio Level Meter

