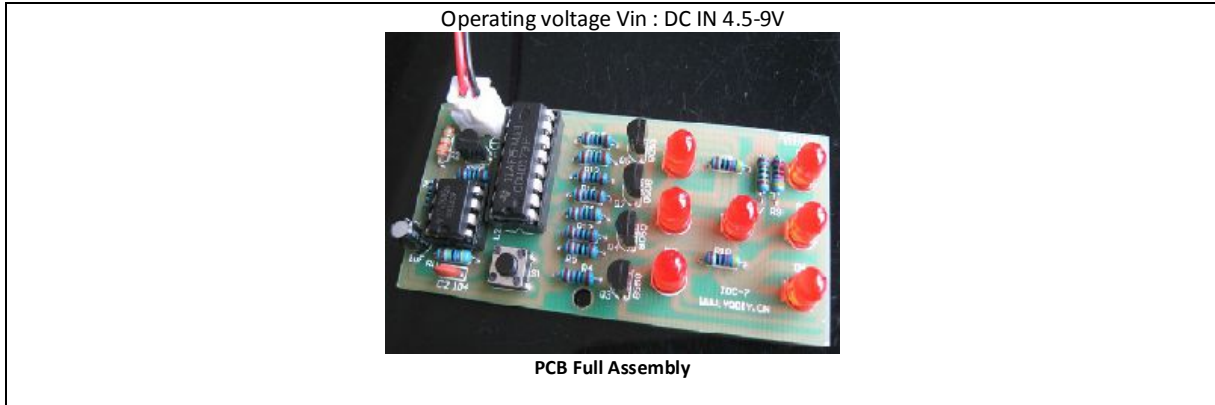

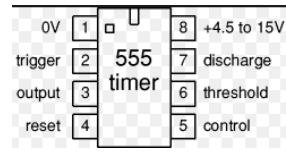


THE ELECTRONICS HOBBY KIT

Electronic Dice



<p>R1= 10M, R2=3.3M, R3- R6=10K, R7= 1K, R8-R10=470, R11=4.7M R12-R16=10K C1=1uF, C2=104</p>	 <p>S8050 (NPN) S8550 (PNP)</p> <p>1- EMITTER 2- BASE 3- COLLECTOR</p>	 <p>output Q5 1 output Q1 2 output Q0 3 output Q2 4 output Q6 5 output Q7 6 output Q3 7 0V 8</p> <p>16 +3 to +15V 15 reset 14 clock 13 disable 12 ÷10 output 11 output Q9 10 output Q4 9 output Q8 0V 8</p>
<p>LED = D1-D7 Q1,Q3 = S8550 Q2,Q4,Q5 = S8050 S1=tact switch U1= NE555 U2=CD4017 J1=Terminal Power Vin</p>		

