

Siemens TC35 GSM Development Board



GSM is known as Global System Of Mobile Communication, it is being used as standard for nowadays in our cell phone. GSM/ GPRS modem has become popular in embedded system as it provides long distance and remote control and monitor solution. Though it is not designed for real time application, but many systems does not require real time update. GSM would work any place as long as the signal/network is available.

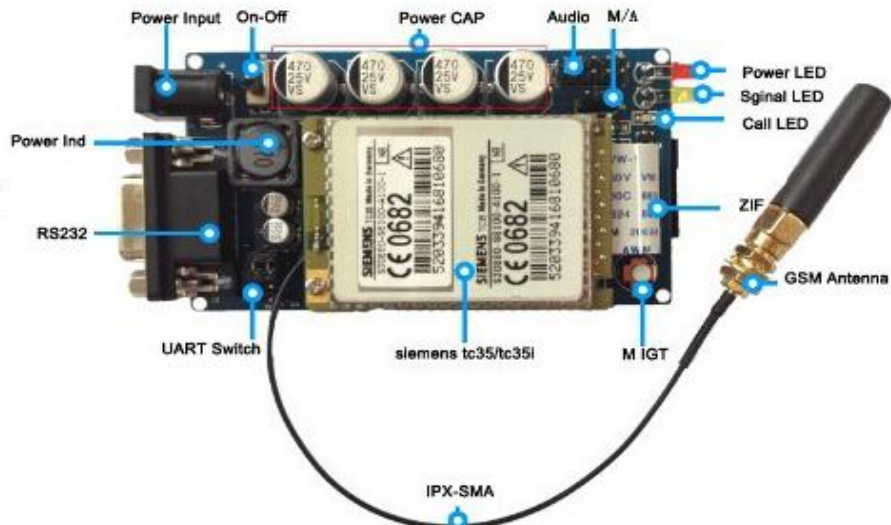
Application:

- Home security
- Automotive anti-theft system
- Laboratory access and monitor

Features:

- Siemens TC35 GSM module on board
- Support 900/1800/1900 MHz GSM Tri band.
- Uses AT Command Set.
- SIM card holder/socket ready
- Ready with SMA antenna for better signal reception and transmission
- SMS (text) and voice communication is ready.
- Single board solution.
- Power with 3.3 VDC.
- Ready with UART (2.65V TTL) and RS232 (COM Port) serial interface.
- Serial Interface, Baud rate: 9600bps, 8-1-N
- On board 3.5mm earphone jack and mic jack
- On board buzzer as sound indicator.

Pin Outs:



Schematic

