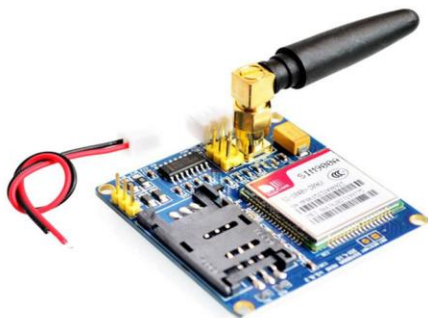


SIM900A



GSM (Global System for Mobile communications) module is basically a modem which accepts a SIM card and works in the GSM network provided by the operator just like a mobile phone. It can communicate with controllers via AT commands to do different tasks in the network such as calling, sending messages, accepting messages, sending FAX etc. This module supports software power on and reset. The GSM module usually communicates with the parent hardware by means of serial communication. SIMCom presents an ultra compact and reliable wireless module. The serial port (RS232) and if the parent system is microcontroller based, the communication is through the TTL pins Rx and Tx. If the parent hardware is a personal computer, the communication is usually done through Advance GSM modules may even have Bluetooth or Wi-Fi connectivity.

Application :

- Access control device
- Supply chain management

Features:

- Quad-Band 850/ 900/ 1800/ 1900 MHz
- Dual-Band 900/ 1900 MHz
- GPRS multi-slot class 10/8GPRS mobile station class B
- Compliant to GSM phase 2/2+Class 4 (2 W @850/ 900 MHz)
- Class 1 (1 W @ 1800/1900MHz)
- Control via AT commands (GSM 07.07 ,07.05 and SIMCOM enhanced AT Commands)
- Low power consumption: 1.5mA(sleep mode)



SYNACORP TRADING & SERVICES

No.9, 1st Floor, Lrg 1/SS2, Bandar Tasek Mutiara, 14120 Simpang Ampat, S.Prai (S), Penang

Tel : +604.504.1617 Hunting Line : 012.4033.474 Fax : +604.502.1726

(Website) <http://www.synacorp.my> (Email) sales@synacorp.com.my

Technical Specifications:

For Fax:

- Group 3 , class 1

For Data:

- GPRS class 10: max. 85.6 kbps (downlink)
- PBCCH support
- Coding schemes CS 1, 2, 3, 4
- CSD up to 14.4 kbps
- USSD
- Non transparent mode
- PPP-stack

For SMS via GSM/GPRS:

- Point to point MO and MT
- SMS cell broadcast
- Text and PDU mode

For Voice:

Tricodec

- Half rate (HR)
- Full rate (FR)
- Enhanced Full rate (EFR)

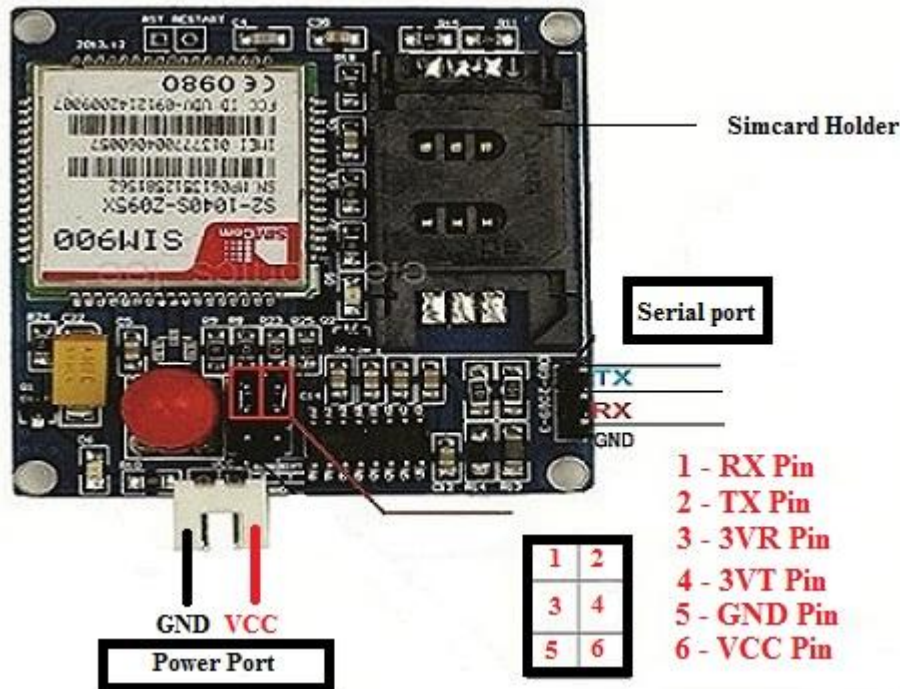
Hands – free operation

(Echo suppression)

AMR

- Half Rate (HR)
- Full Rate (FR)

Pins Out :



Dimension :

