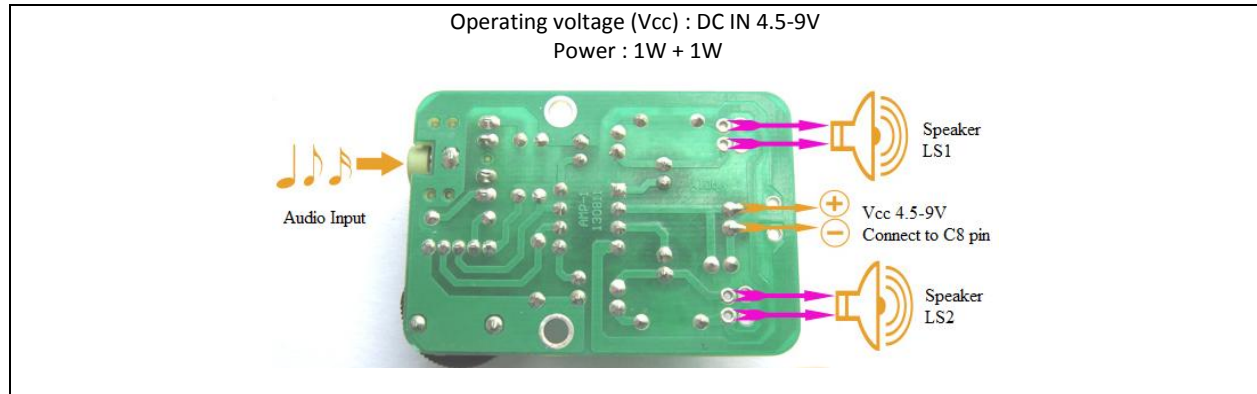
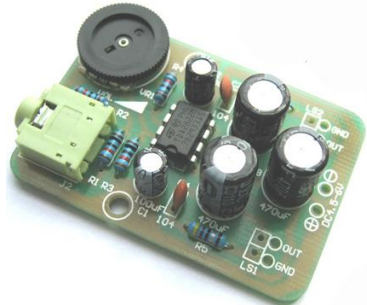
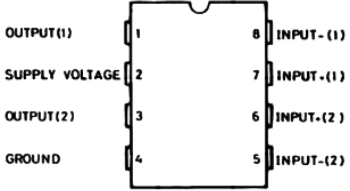


THE ELECTRONICS HOBBY KIT

TDA2822M STEREO POWER AMPLIFIER



R1,R2,R3,R4 = 10kΩ R5,R6 = 4.7Ω	 <p>PCB Full Assembly</p>	 <p>TDA2822M Pinout Diagram</p>
VR1 = 50K Potentiometer		
C1,C2 = 100uF 16V C3,C5,C8 = 470uF 16V C4,C6,C7 = 104		
U1 = TDA2822M		
LS1,LS2 = 8 Ω speaker J2= 3.5mm Audio block Audio cable Wires		

