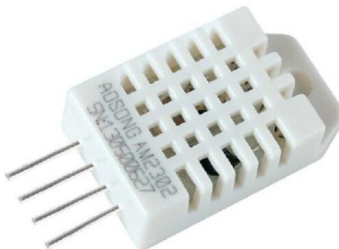


DHT22 Digital Temperature & Humidity Sensor



DHT22 click is a temperature and humidity measurement board carrying the AM2302 sensor (also known as DHT22). It's a low cost reliable sensor that communicates with the target board microcontroller through a single Serial Data Line. Small size & low consumption & long transmission distance (20m) enable DHT22 to be suited in all kinds of harsh application occasions.

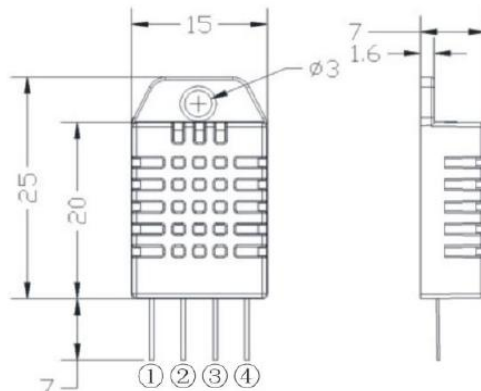
Application:

- HVAC
- Dehumidifier
- Testing and inspection equipment
- Consumer goods
- Automotive
- Automatic control
- Data loggers
- Home appliances
- Humidity regulator medical

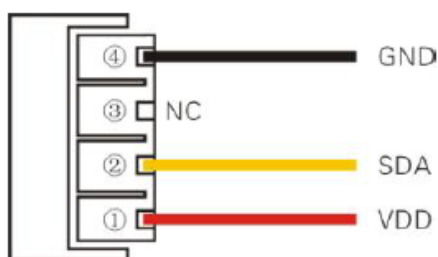
Features:

- Ultra-low power
- Fully automated calibration
- The use of capacitive humidity sensor
- Completely interchangeable
- Standard digital single-bus output
- Excellent long-term stability
- High accuracy temperature measurement devices.

Dimension (mm):



Pin Assignment:



Pin	Name	Description
1	VDD	Power (3.3V-5.5V)
2	SDA	Serial data, bidirectional port
3	NC	Empty
4	GND	Ground

Schematic

