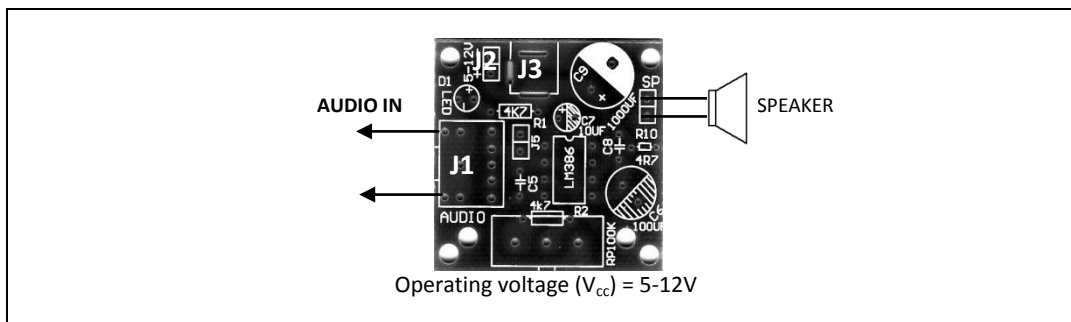
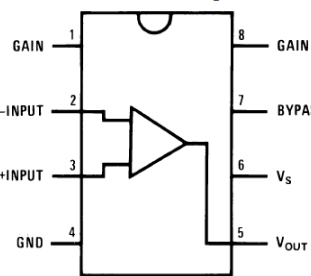
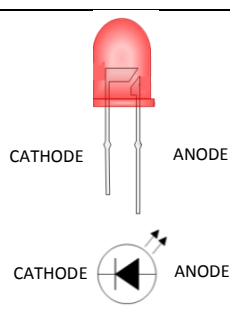


THE ELECTRONICS HOBBY KIT

LM386 SUPER MINI AMPLIFIER



<p>R1 = 4.7kΩ (YELLOW-VIOLET-RED) R2 = 4.7kΩ (YELLOW-VIOLET-RED) R10 = 10Ω (BROWN-BLACK- BLACK) RP100K = 100kΩ POTENTIOMETER</p>	<p>LM386 Pinout Diagram</p> 	
<p>C5 = 104</p>		
<p>C6 = 100uF (50V)</p>		
<p>C7 = 10uF (25V)</p>		
<p>C8 = 104</p>		
<p>C9 = 1000uF (25V)</p>		
<p>L1 = 3mm LED</p>		
<p>U1 = LM386 (WITH IC SOCKET)</p>		
<p>8 ohm SPEAKER with wire</p>		

