

Arduino NODEMCU Lua IoT ESP8266 Wifi Controller Board v3



NodeMCU is a small board, based on the cheap ESP-12 Wi-Fi module containing a single-chip ESP8266 Wi-Fi SoC. The NodeMCU is an open-source firmware and development kit that helps you to prototype your IOT product within a few Lua script lines. The ESP-12 is one of the available modules containing an ESP8266 chip; it is becoming more and more popular because of its integrated Wi-Fi PCB antenna and shield.

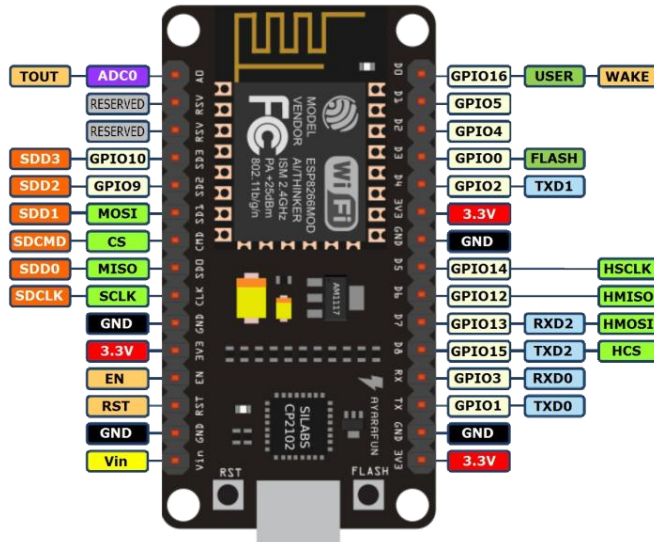
- Open-source
- Interactive
- Programmable
- Low cost
- Simple
- Smart
- WI-FI enabled

FEATURES:

The Development Kit based on ESP8266, integrates GPIO, PWM, IIC, 1-Wire and ADC all in one board. Power your development in the fastest way combination with NodeMCU Firmware!

- USB-TTL included, plug & play
- 10 GPIO, every GPIO can be PWM, I2C, 1-wire
- FCC CERTIFIED WI-FI module (Coming soon)
- PCB antenna

PIN-OUTS:



DIMENSIONS:

