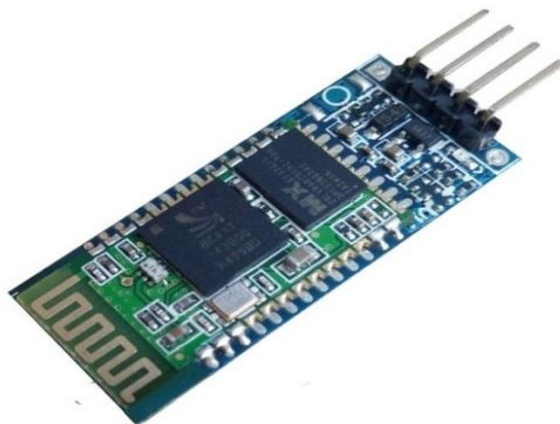


HC06 Bluetooth to Serial Wireless UART Adaptors with Arduino



This HC-06 Bluetooth module is the most economical and easiest way for wireless application. This module allows you to wirelessly extend your serial interface .It can be used to add bluetooth functionality to your devices and replace serial port communication. LED pin indicates the status of the bluetooth connection whereas the output pulse indicates no bluetooth connectivity High output indicates that bluetooth is connected and open ports. Interface levels 3.3V allow this module to be connected to a variety of microcontrollers.

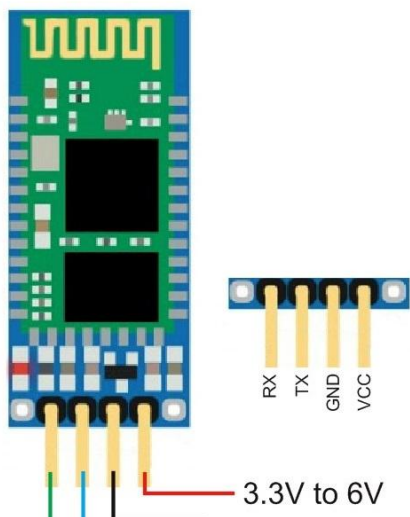
Specifications:

- Operating voltage: 3.6 to 6Vdc.
- Operating current: 30mA.
- Communication distance: 10 meters.
- Working mode: slave.
- Pass code: 1234.
- Full-duplex serial interface.
- Communication format: Only supports 8 data bits, 1 stop bit, and no parity.
- Default baud rate: 9600 bps
- Weight: 5g.
- Working current: less than 50MA (with actual date).
- Communication distance: open conditions under 10M, normal use of the environment around 8M.

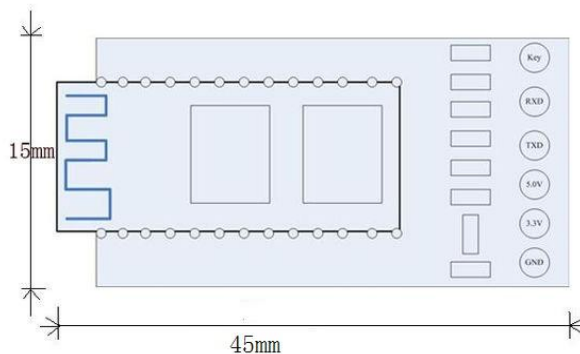
Application:

- Computer and peripheral devices
- GPS receiver
- Industrial control
- MCU projects
- Mouse, keyboard, joystick

Pins out:



Dimension:



Schematic:

