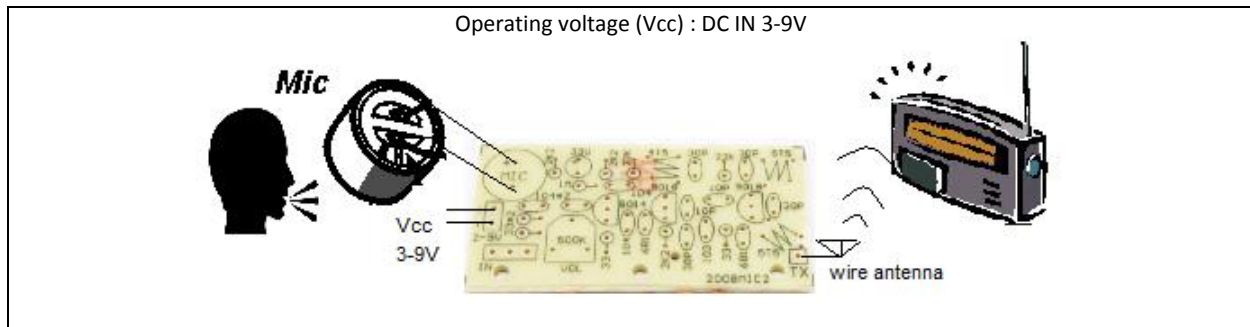


THE ELECTRONICS HOBBY KIT

FM WIRELESS MICROPHONE



R1,R4,R8 = 2.2k, R2,R3=33 ,
R5=1M, R6, R10=100, R7,R9=22k

W = 220K Potentiometer

C1,C2,C3,C13 = 104, C4=681

C5,C7,C10,C12 = 30P, C6,C8=10P

C9=103, C11=102, C14=33u

M1 = MIC

L1= 4.5T

L2, L3= 5.5T

Q1= 9014 , Q2, Q3 =9018

Wire antenna, 9V snapper

TRANSISTOR
9014
9018

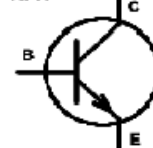
1- EMITTER

2- BASE

3- COLLECTOR



NPN



PCB Assembly

Schematic Diagram

