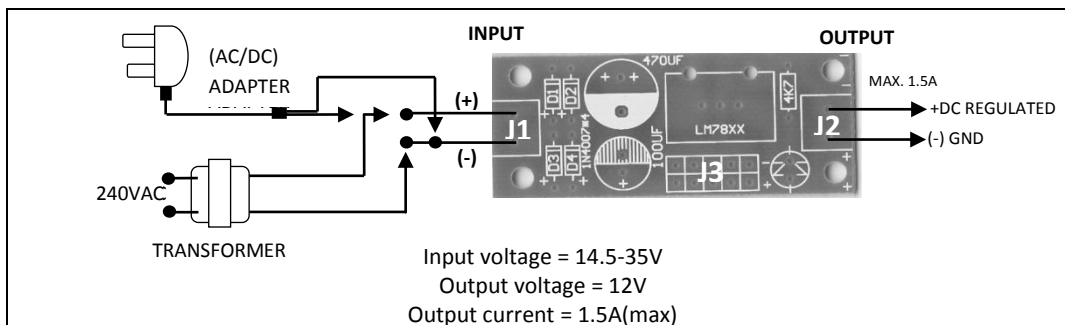
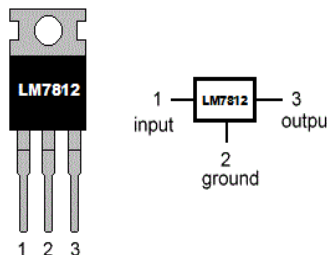
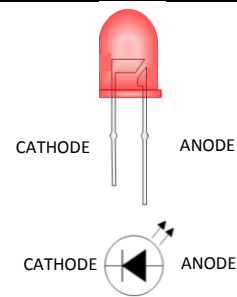


THE ELECTRONICS HOBBY KIT

12V REGULATED POWER SUPPLY (LM7812)



R1 = 4.7kΩ (YELLOW-VIOLET-RED)	<p>LM7812 PINOUT DIAGRAM</p> 	
D1 = 1N4007 D2 = 1N4007 D3 = 1N4007 D4 = 1N4007		
C1 = 470uF (50V) C2 = 100uF (50v)		
L1 = 3mm LIGHT-EMITTING-DIODE (LED)		
U1 = 7812 (REGULATOR IC)		
Attn: HEATSINK NEEDED FOR U1		

