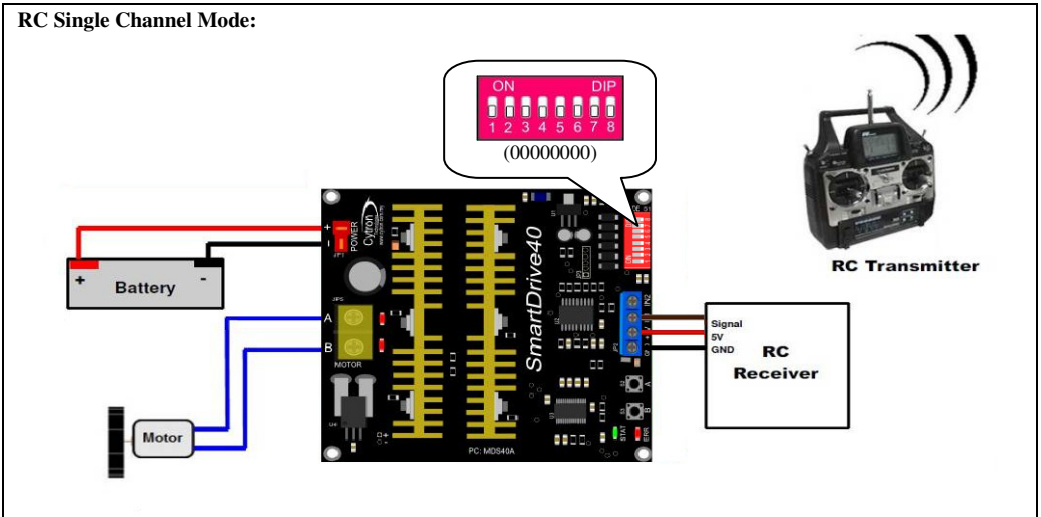


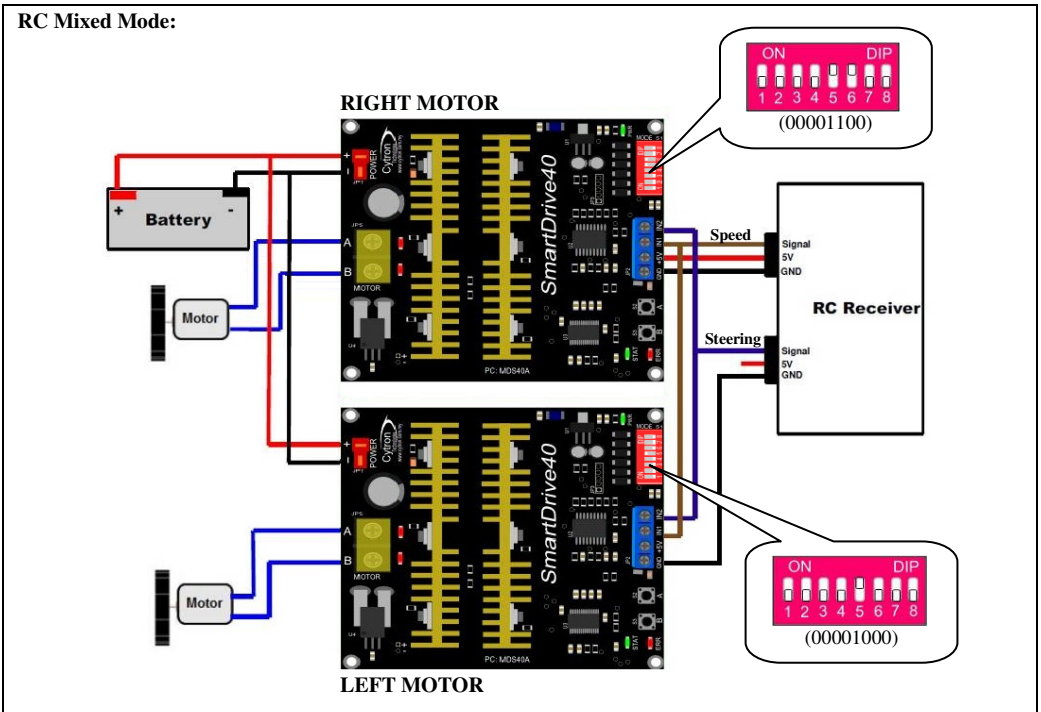
SmartDrive40 Quick Start Guide

RC INPUT MODE

RC Single Channel Mode:



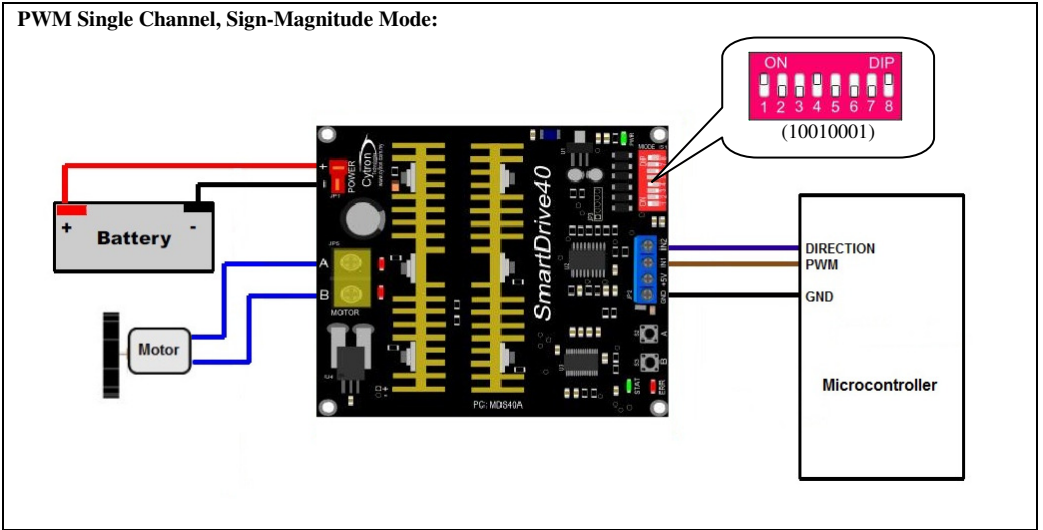
RC Mixed Mode:



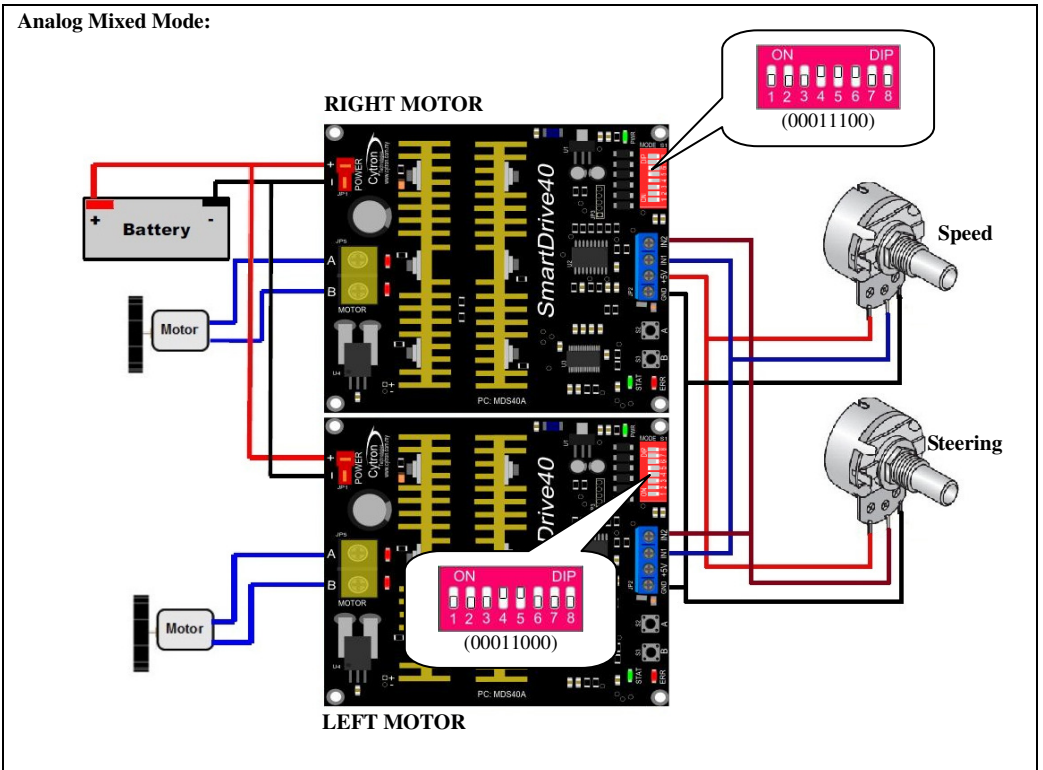
* Please refer to SmartDrive40 User's Manual for more detailed information and other input mode. It can be downloaded from <http://www.cytron.com.my>.

ANALOG/PWM INPUT MODE

PWM Single Channel, Sign-Magnitude Mode:



Analog Mixed Mode:



* Please refer to SmarDrive40 User's Manual for more detailed information and other input mode. It can be downloaded from <http://www.cytron.com.my>.