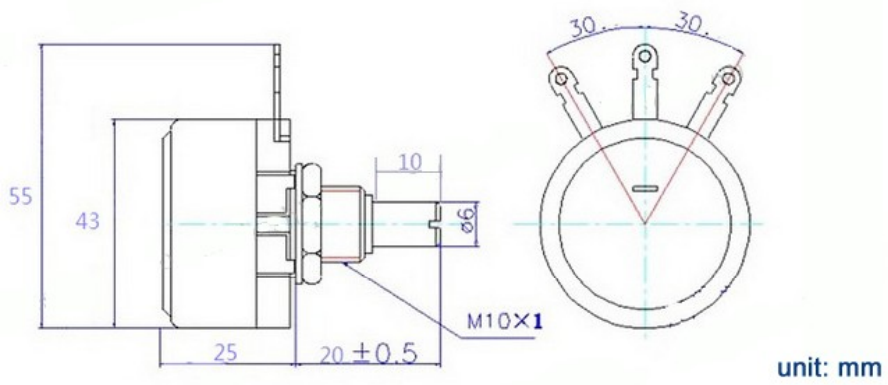


## 10K Ohm 5W Rotary Potentiometer Panel Pot Wire Wound Single Turn



### Specifications:

Resistance: 10K Ohm  
Type: Rotary Potentiometer  
Rated Power: 5W  
Technology: Wirewound  
Resistance Tolerance: ±5%  
Max. Operating Voltage: 200V  
total rotational angle: 300±5degrees  
Life: 10000cycles

### Package:

1 x Potentiometer