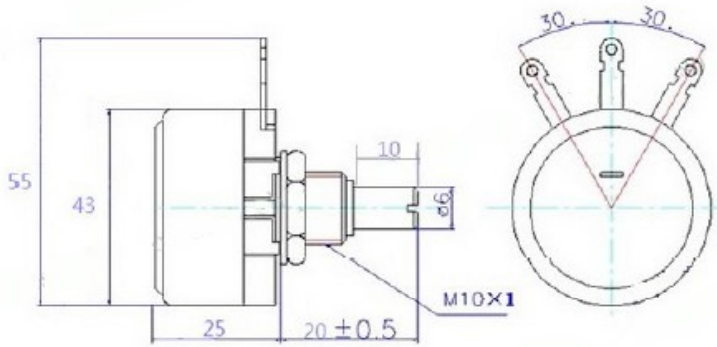


**1KOhm / 5W Rotary Potentiometer Panel Pot Wire Wound Single Turn**



unit: mm



**Specifications:**

Resistance: 1KOhm  
Type: Rotary Potentiometer  
Rated Power: 5W  
Technology: Wirewound  
Resistance Tolerance:  $\pm 5\%$   
Max. Operating Voltage: 200V  
total rotational angle:  $300 \pm 5$  degrees  
Life: 10000 cycles

Package:

1 x Potentiometer

---