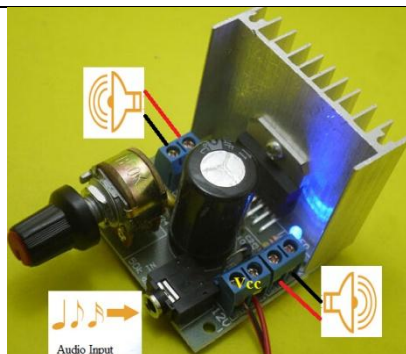


THE ELECTRONICS HOBBY KIT

TDA7297 DUAL CHANNEL AUDIO POWER AMPLIFIER



Operating voltage (Vcc) : DC IN 9-15V

AC IN 9-12V

Recommended current : 2A

Power : 15W + 15W

R1,R2= 47k Ω

R3 = 4.7k Ω

VR1 = 50K Potentiometer

C1 = 3300uF 25V

C2 = 104

C3,C4 = 224

C5= 10uF 25V

U1 = TDA7297

D1 = 1N4007

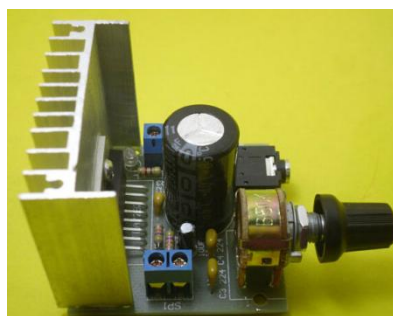
LED = 3mm blue

SP1,SP2,12V= KF301-2P

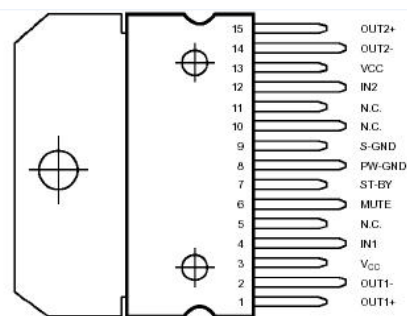
3.5mm Audio block

PCB,Heatsink,M3 screw,

knob



PCB Full Assembly



TDA7297 Pinout Diagram

Schematic Diagram

