

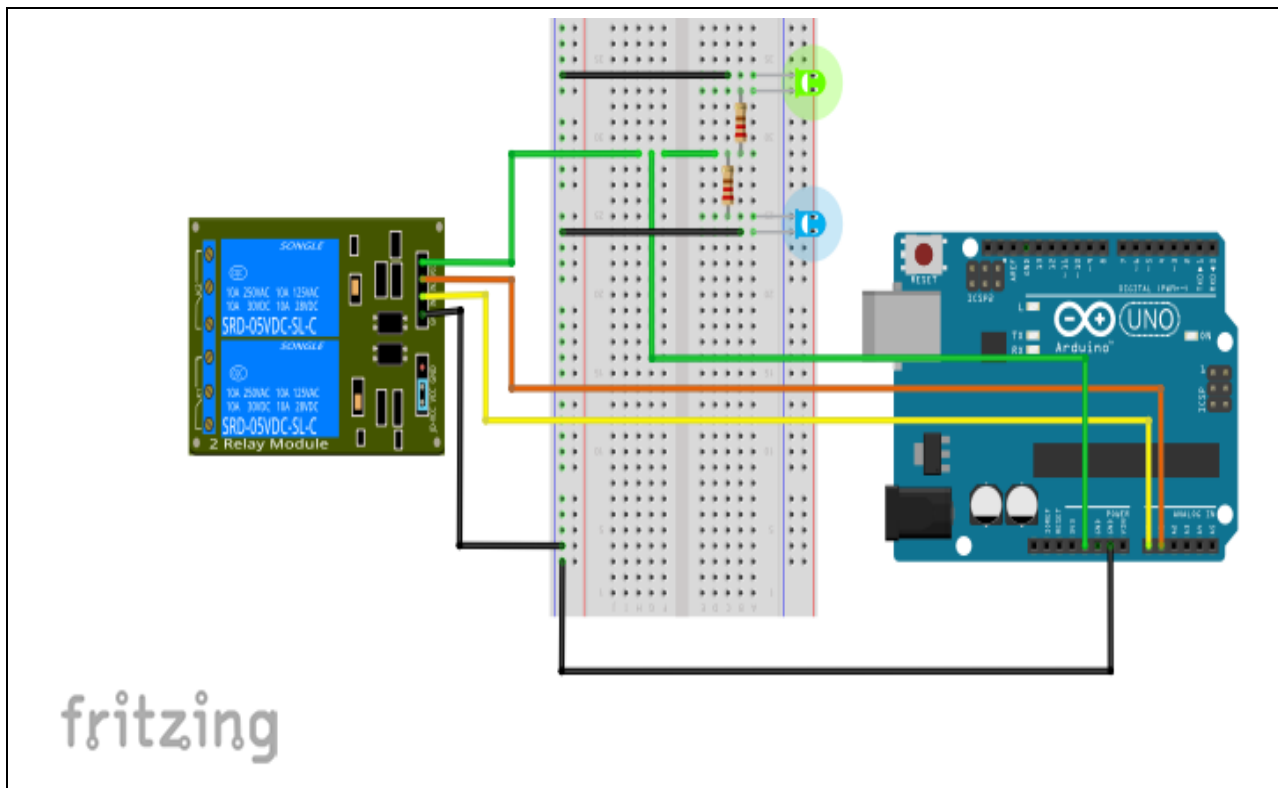
Application1: Arduino with Songle 2-Channel 5VDC Relay Module

This tutorial is for connecting your Arduino to a 2 Channel relay module by using the Arduino sketch to control the switches.

Component needed:

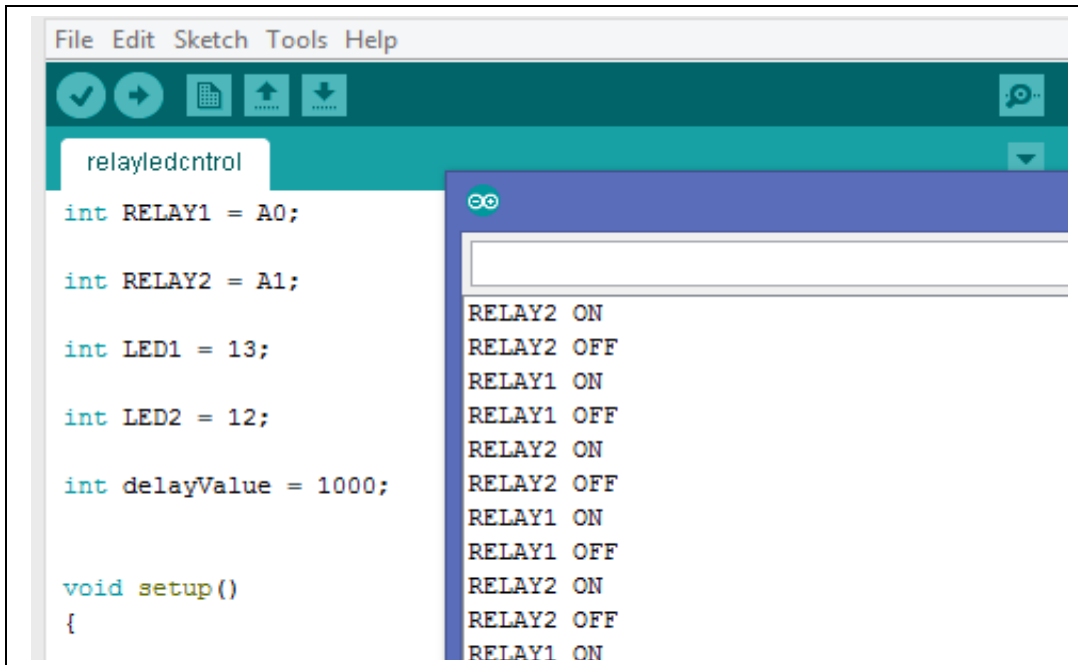
- Arduino UNO
- Songle 2-Channel 5VDC Relay Module
- 2 LED
- 2 220 ohm resistors
- Some jumpers wire

Connection:



Arduino	Relay	Arduino	LED1, LED2, RES1, RES2
Relay GND----->>	Arduino GND	GND----->>	(-VE LED1 & -VE LED2)
Relay IN1 ----->>	Arduino A0	5V----->>	(RES1 & RES2)
Relay IN2 ----->>	Arduino A1		
Relay VCC----->>	Arduino 5V		

1. Connect the relay, resistor and LED to the Arduino UNO. Please ensure the resistor 1 and resistor 2 is connected parallel to LED 1 and LED 2 respectively.
2. After that, upload the sketch in the Arduino IDE.
3. Then, open your serial monitor. Observe this information below in your serial monitor.



```
File Edit Sketch Tools Help
relayedcontrol
int RELAY1 = A0;
int RELAY2 = A1;
int LED1 = 13;
int LED2 = 12;
int delayValue = 1000;
void setup()
{
  RELAY2 ON
  RELAY2 OFF
  RELAY1 ON
  RELAY1 OFF
  RELAY2 ON
  RELAY2 OFF
  RELAY1 ON
  RELAY1 OFF
  RELAY2 ON
  RELAY2 OFF
  RELAY1 ON
```

Conclusion:

When the first relay is on, the blue LED will lights up and the white LED is off. It is vice versa for the second relay.

