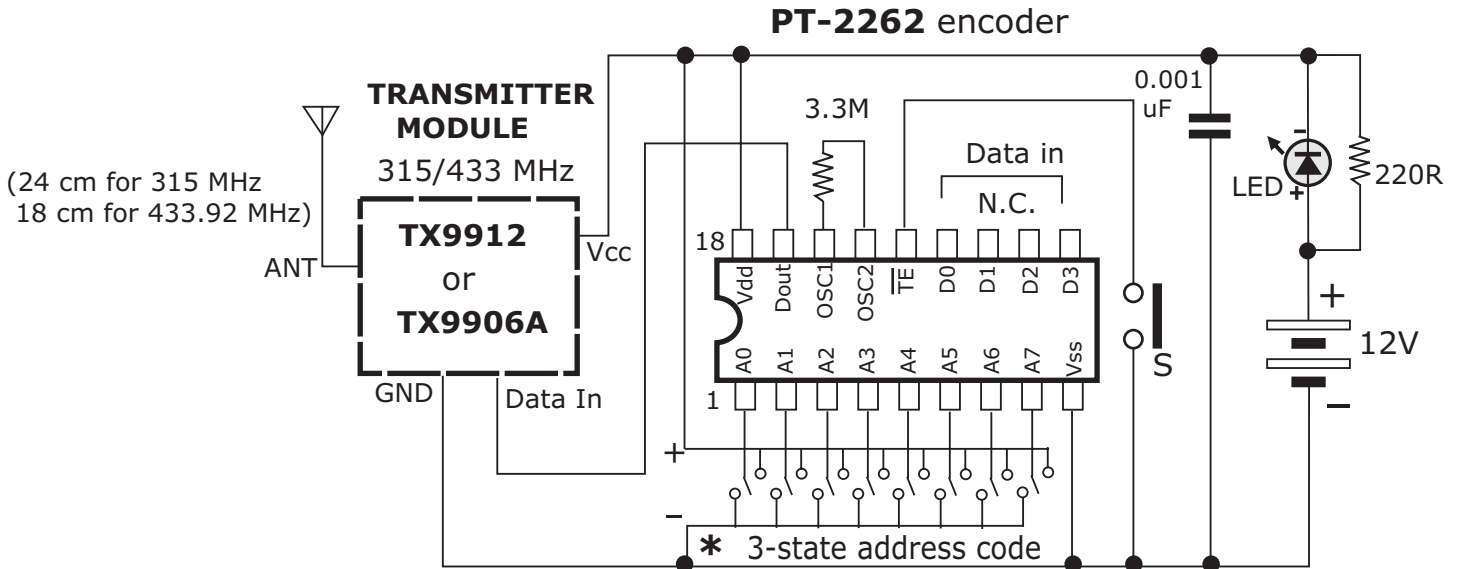


RF Receiver / Transmitter Modules

Application Example (3)

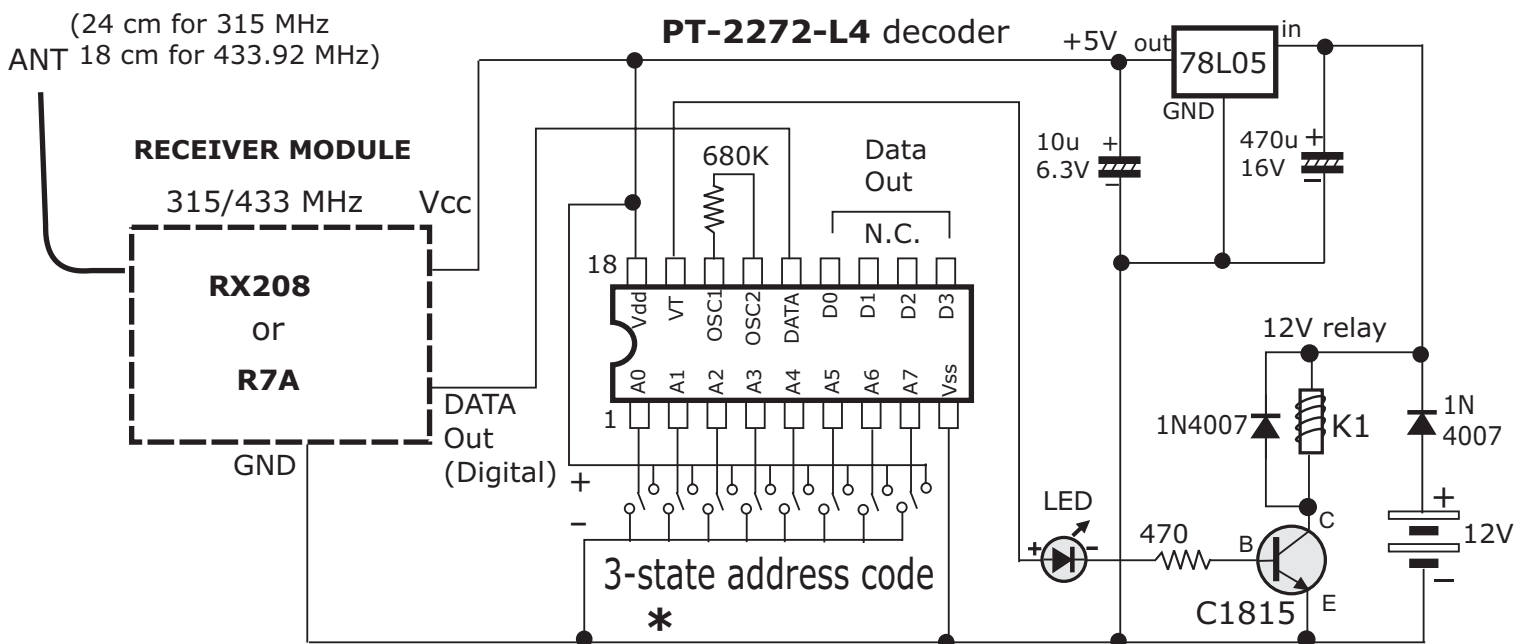
Simple 1-channel Remote Control Switch



Transmitter schematic

* Each address pin (A0~A7) of the encoder and decoder should be connected to either **positive**, **negative** or left **floating** (no connection)

* The encoder & decoder must always **have matching address codes** in order for the receiver to respond correctly to the command of the transmitter. When the button switch of the transmitter is depressed, pin 17 (VT) of the decoder will go high and the relay actuated and remains so until the button is released.



Receiver schematic