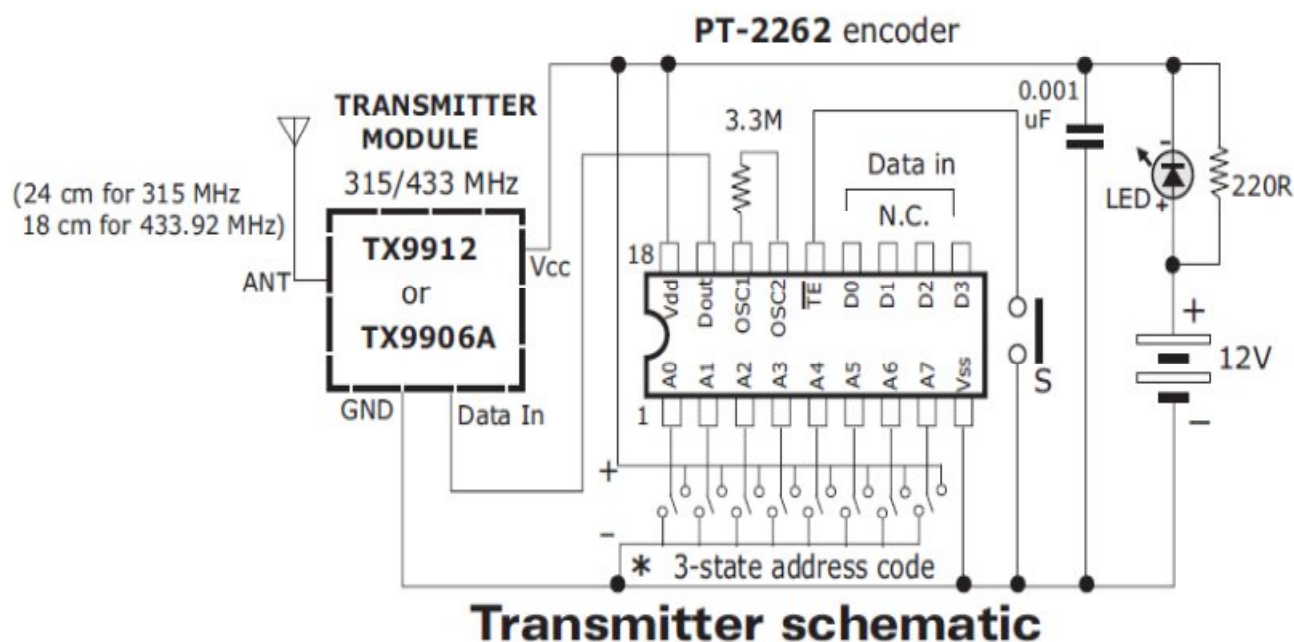


# RF Receiver / Transmitter Modules

## Application Example (3)

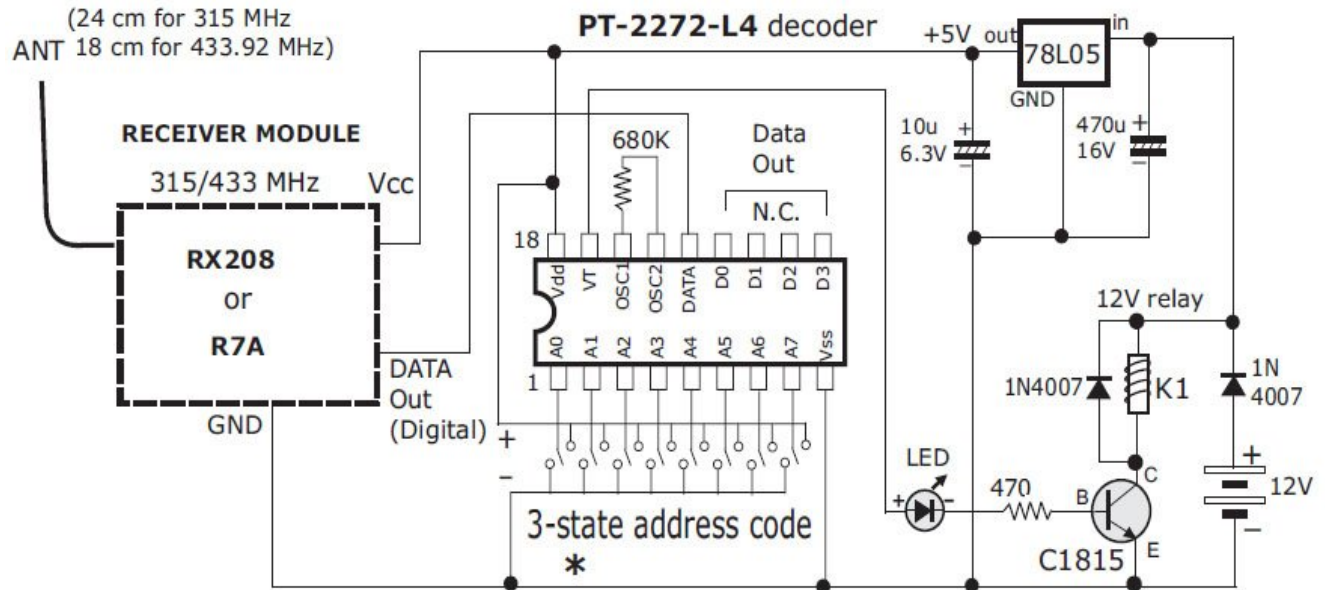
### Simple 1-channel Remote Control Switch

RF Transmitter/Receiver Modules are very small in dimension and have a wide operating voltage range (3V-12V). The low cost RF Transmitter/Receiver can be used to transmit signal up to 100 meters (the antenna design, working environment and supply voltage will seriously impact the effective distance). It is good for short distance, battery power device development.



\* Each address pin (A0~A7) of the encoder and decoder should be connected to either positive, negative or left floating (no connection).

\* The encoder & decoder must always have matching address codes in order for the receiver to respond correctly to the command of the transmitter. When the button switch of the transmitter is depressed, pin 17 (VT) of the decoder will go high and the relay actuated and remains so until the button is released.



**Receiver schematic**

## Typical Applications

- Vehicle monitoring
- Remote control
- Telemetry
- Small-range wireless network
- Wireless meter reading
- Access control systems
- Wireless home security systems
- Area paging
- Industrial data acquisition system
- Radio tags reading
- RF contactless smart cards
- Wireless data terminals
- Wireless fire protection systems
- Biological signal acquisition
- Hydrological and meteorological monitoring
- Robot remote control
- Wireless data transmissions
- Digital video/audio transmission
- Digital home automation, such as remote light/switch
- Industrial remote control, telemetry and remote sensing.
- Alarm systems and wireless transmission for various types of low-rate digital signal.
- Remote control for various types of household appliances and electronics projects.
- Many other applications field related to RF wireless controlling
- Mobile web server for elderly people monitoring