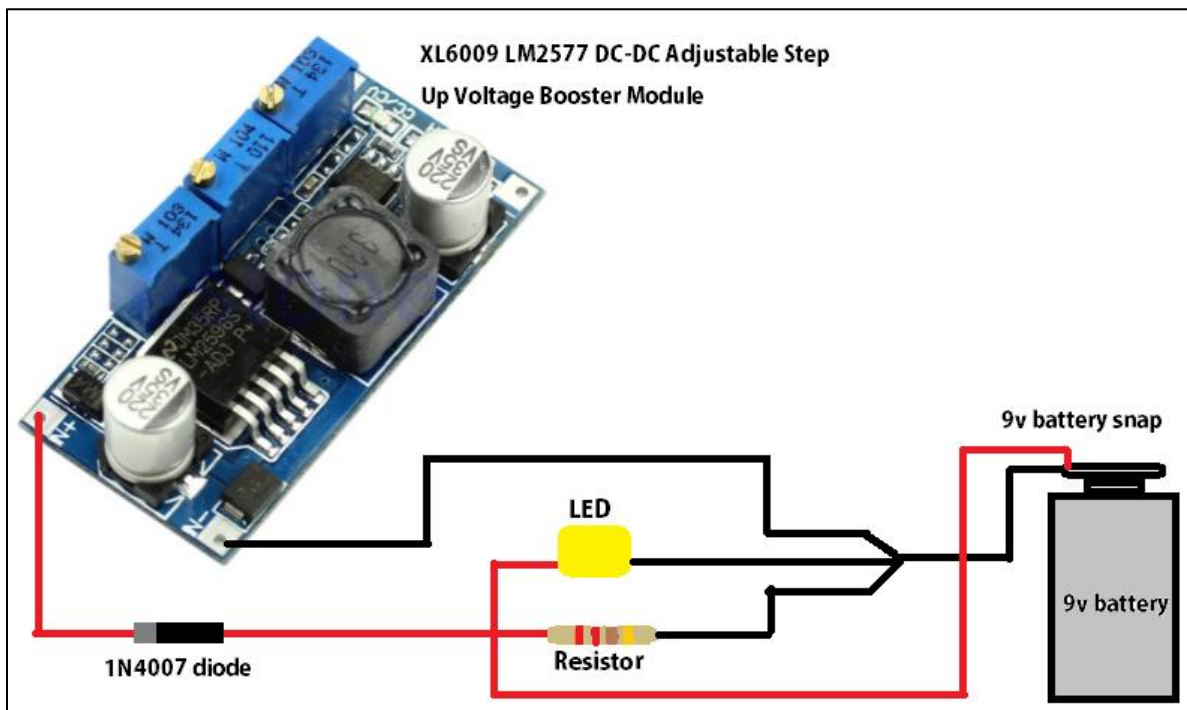


XL6009 LM2577 DC-DC Adjustable Step up Voltage Booster Module Testing

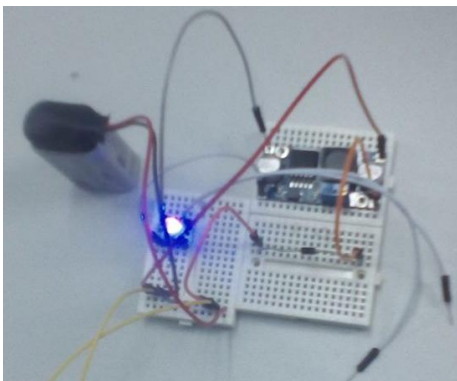
Component Needed:

- XL6009 LM2577 DC-DC Adjustable Step up Voltage Booster Module
- a N14007 diode
- a LED
- a multimeter
- 9V battery
- 9V battery snap
- Jumper wires

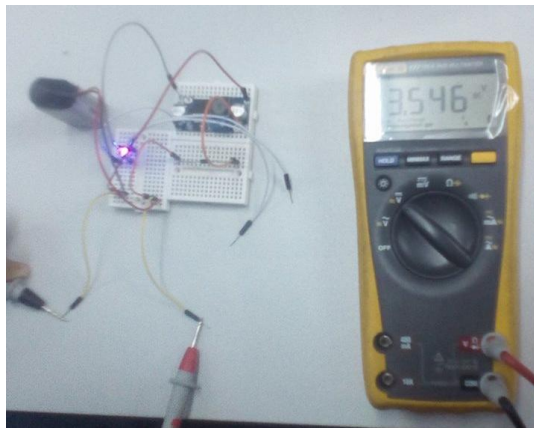
Connection:



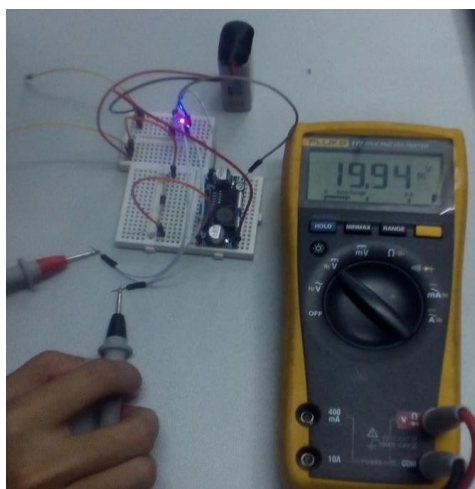
1. Make a connection as shown in figure above.



2. Measure the input voltage by using a multimeter.



3. Then, also by using a multimeter, measure the value for the output voltage.



Conclusion:

For this step up voltage booster module, the multimeter must show the high value of output voltage compared to the input voltage.