

## Arduino XL6009 LM2577 DC-DC Adjustable Step-up Voltage Booster Module



The XL6009 regulator is a mix range, current mode, DC/DC converter which is capable of generating either positive or negative output voltages. It can be configured as control functions for step-up (boost), fly back, and forward converter switching regulators. The device is available in three different output voltage versions: 12V, 15V, and adjustable. Requiring a minimum number of external components, these regulators are cost effective, and simple to use. Included on the chip is a 3.0A NPN switch and its associated protection circuitry, consisting of current and thermal limiting, and under voltage lockout. Other features include a 52 kHz fixed-frequency oscillator that requires no external components, a soft start mode to reduce in-rush current during start-up, and current mode control for improved rejection of input voltage and output load transients.

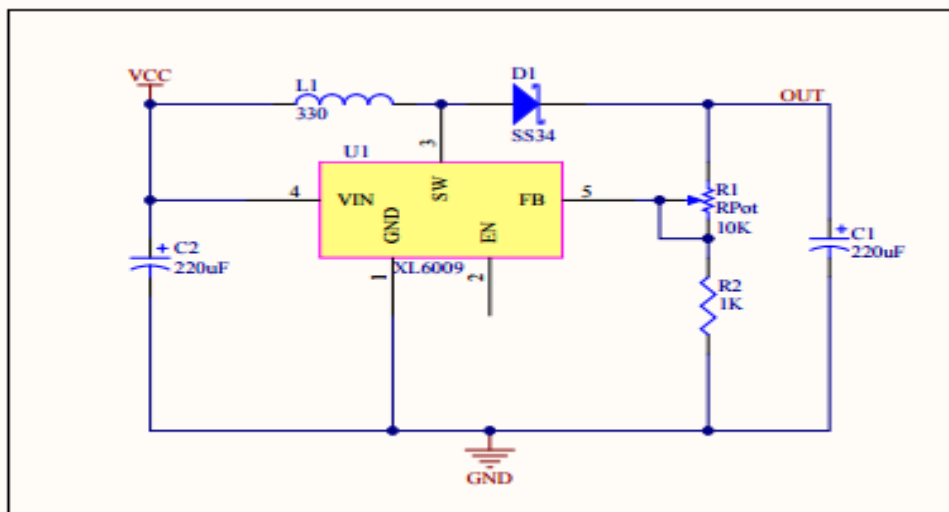
### **Specifications:**

- Module Properties: Non-isolated buck Module
- Input voltage range: 3.2 to 30Vdc.
- Output voltage range: 5 to 35Vdc.
- Output rated current: 2A.
- Output maximum current: 3A (need to add heat sink).
- Conversion efficiency: 94%.
- Switching frequency: 400kHz.

**Pins out:**

- IN+ --- Input voltage
- IN- --- Ground
- OUT+ --- Output voltage
- OUT- --- Ground

**Schematic:**



**Dimensions:**

