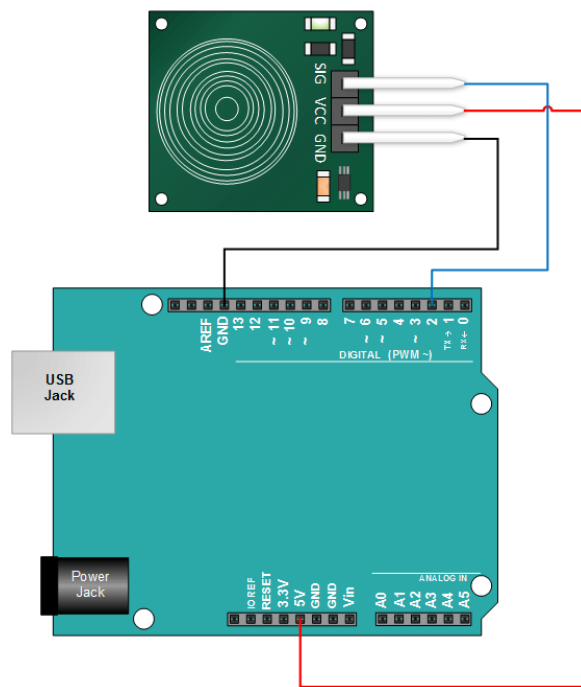


## Application: TTP223 Capacitive Touch Sensor Module

### COMPONENT NEEDED:

- Arduino UNO
- USB Cable
- TTP223 Capacitive Touch Sensor Module
- Jumper wire

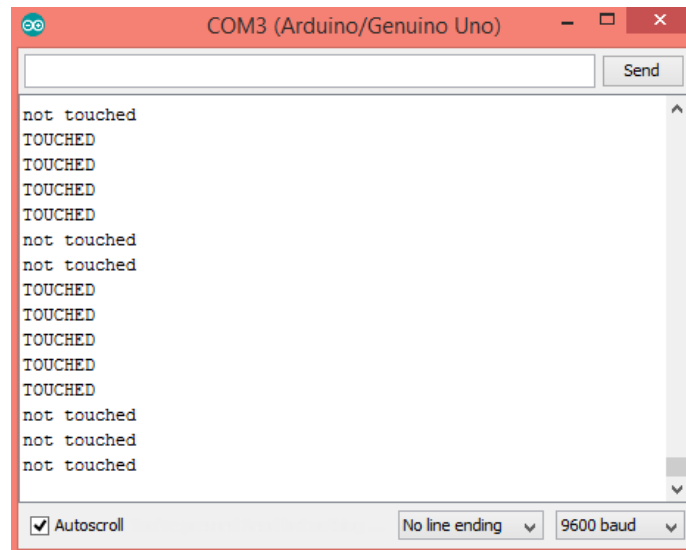
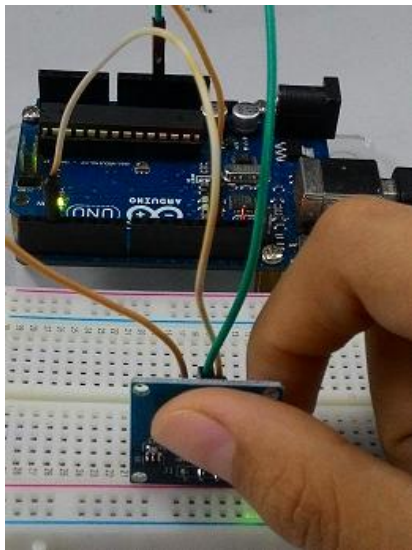
### CONNECTION:



TTP223	Arduino
SIG	D2
VCC	5V
GND	GND

1. Connect the circuit as shown in figure above.
2. Connect your Arduino UNO to Arduino IDE.
3. Open your Arduino IDE.
4. Select the right board type and COM port.
5. Upload the sketch. You can get the sketch from *Application1\_Sketch*.
6. Open the serial monitor to view the output and result.

### RESULT:



### CONCLUSION:

- When the touch pad was touched, the "TOUCHED" will be sent to the serial monitor.
- When the touch pad was not touched, the "not touched" will be sent to the serial monitor.