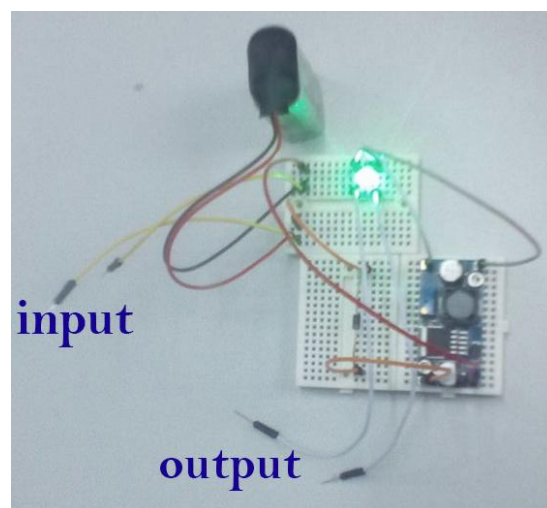
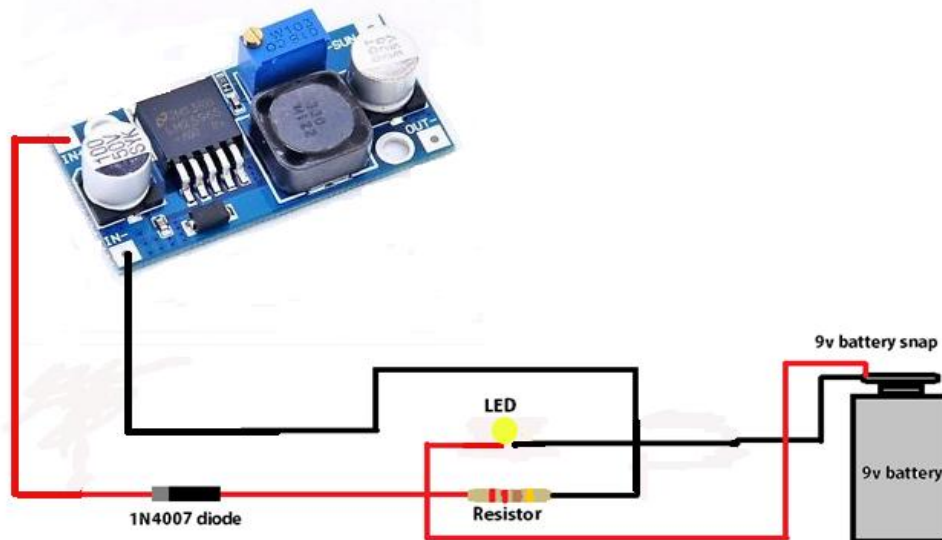


Arduino LM2596 DC-DC Adjustable Step Down Voltage Converter

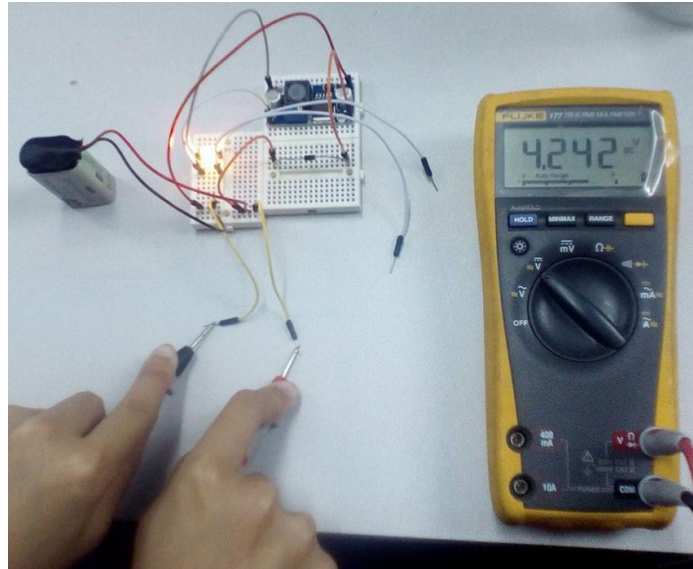
The component needed are :

- DC-DC Adjustable Step down Voltage Module
- N14007 diode
- LED
- Multimeter
- 9V battery
- Jumper wires

Set the connection as shown below. External voltage will be supplied to the circuit and by using this LM2596 module, the input produced must be low than output supply.



Input supplied to the circuit is measured first and the result is shown below.



Next the output produce is measure. It shows that the output is lower than input supplied.

