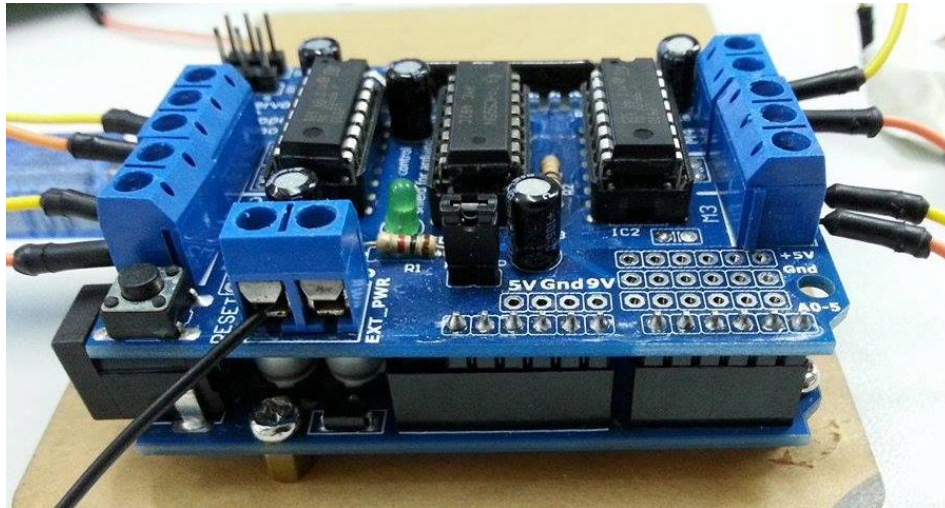


Arduino L293D DC Motor Driver Control Shield

Test the motor

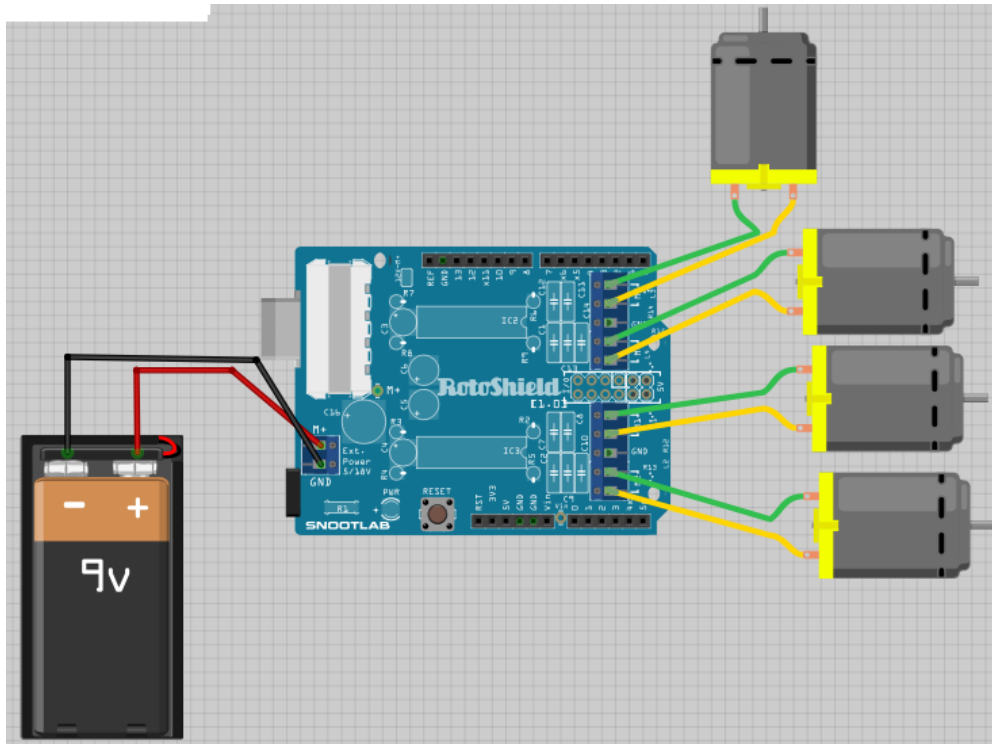
First step is plug in the whole Arduino L293D DC Motor Driver Control Shield into the Arduino Uno, just note where the pins are located and connect the shield accordingly.



Then connect one motor to the pin M4. This is to check whether our motor will function or not and make sure to supply external power (9V) to the circuit. Next is upload the code into arduino.ide, output will show that the motor will rotate continuously.

Control Four DC motors using L293D

Make sure to plug in the whole module into arduino Uno correctly then set the connection as shown below:



Next, upload the code into arduino.ide. The output will show all motors will rotate in the same direction. The motors will stop for a while before change the direction of rotation.