
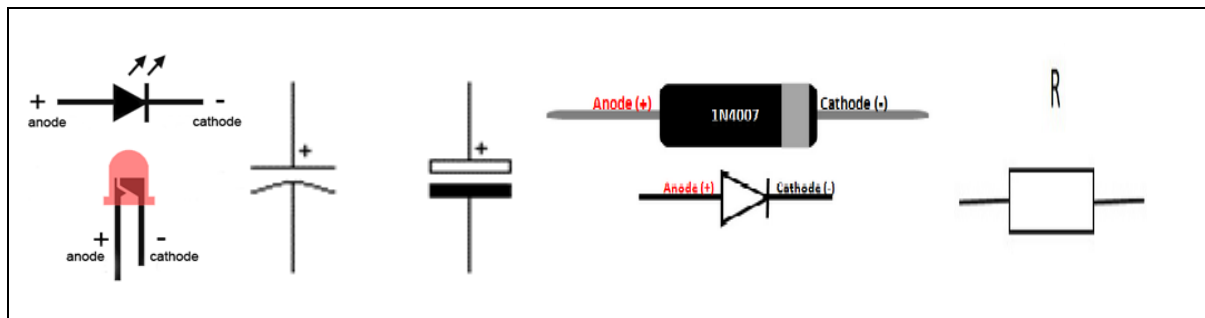
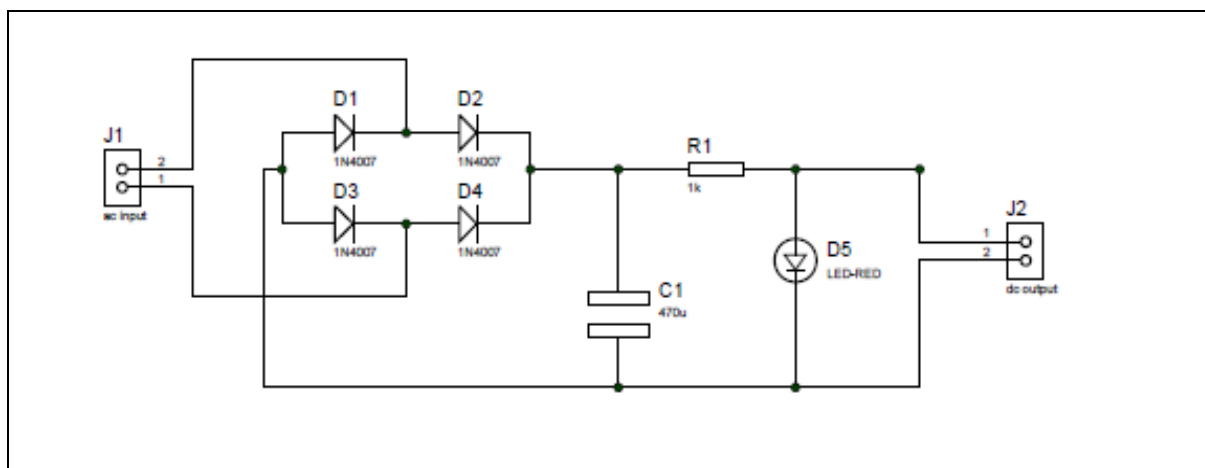


STS-901: 1N4007 Bridge Rectifier AC to DC Power Converter DIY Kit

<p>Power Supply voltage: 3-18V (AC voltage)</p>  <p>DC output AC input</p> <p>PCB Full Assembly (Board size: 30*28mm)</p>	<p>Component List</p> <p>R1=2kΩ, C1= Electrolytic capacitor 470μF, Red LED, Diode 1N4007, Screw terminals (DC output and AC input)& PCB Board</p> <hr/> <p>Total Item = 10</p>
-----------------------------------------------------------------------------------------------------------------------------------------------------------------------------------------------------------------------------------------------	---------------------------------------------------------------------------------------------------------------------------------------------------------------------------------------------------



Schematic Diagram:



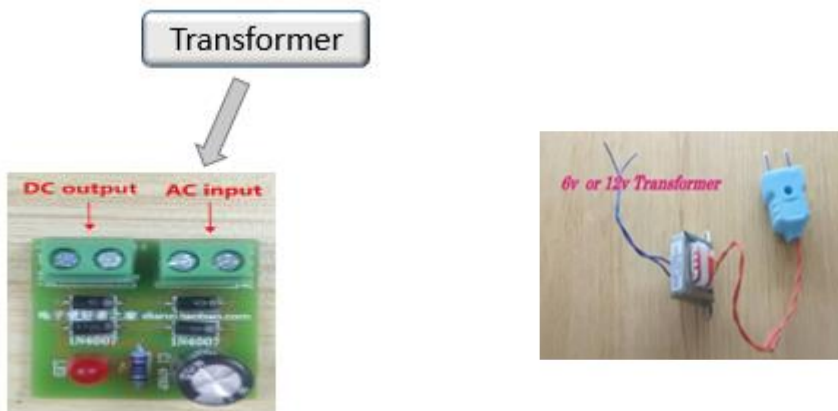
Component List:

Component	Quantity	Reference
Diode 1N4007	4	1N4007
Red Led	1	D5
2kΩ Resistor	1	R1
Electrolytic capacitor 470μF	1	C1
Screw terminal (AC Input)	1	J1
Screw terminal (DC Output)	1	J2

Introduction:

This kit is a rectifier circuit, which has the function of converting AC input into DC output. The input AC voltage range is 3-18V, ZUI output is 1A current, and it needs more input voltage. It can replace the resistance of electrolytic capacitor on the board. The pressure value and the withstand voltage value need to be at least about 10V greater than the input voltage value.

Connection Setup 1: AC input is connected to the transformer.



Connection Setup 2: Digital multi-meter is connected to the DC output to measure the voltage.

